

# CLEARSTREAM<sup>®</sup>

WASTEWATER SYSTEMS, INC.

RESIDENTIAL • COMMERCIAL • INDUSTRIAL

**When  
Experience  
Counts...**



Exceeds Requirements for NSF/ANSI  
Standard 40 Class I, 245, and 350

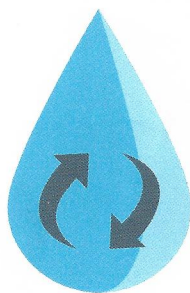
# WHY Clearstream® Wastewater Systems?



CLASS I  
NSF/ANSI 40

## PERFORMANCE

Clearstream Wastewater Treatment Systems have been tested and certified by NSF International to meet and exceed the requirements of the American National Standard 40 evaluation developed by NSF International and the Council of Public Health Consultants. Our treatment systems also meet the NSF/ANSI Standard 245 for nitrogen reduction and NSF/ANSI 350 certification for online water reuse. In addition to this testing, Clearstream Systems has successfully marketed its treatment systems nationally and internationally to meet a wide range of regulatory requirements. You can count on the highest quality in your Clearstream product.



## SIMPLICITY

Clearstream Systems are not built on the belief that state-of-the-art always means complicated. We have based our business and all of our product designs on the fact that state-of-the-art means consistently providing a product that produces the highest water quality in the most efficient way possible. We strive for simplicity and reliability of performance in all of our products. And we consistently meet that goal.



## COMPONENTS

Aerators, control panels, and accessory equipment from Clearstream Systems are manufactured according to the strictest guidelines. You know when you buy parts from Clearstream Systems, you are getting the highest quality and most compatible with your system. We have a long history of providing our customers with the most reliable components created with top quality materials while still being offered at a reasonable price.

## CONSTRUCTION



Clearstream Systems manufactures products constructed of fiberglass reinforced plastic, commonly called fiberglass. Our fiberglass tanks are constructed of the finest chemical resistant isophthalic polyester resins and the finest fiberglass reinforcement strands available. These tanks have been tested by an approved International Association of Plumbing and Mechanical Officials (IAMPO) testing laboratory and certified to meet and exceed the extremely stringent requirements of the IAMPO. In addition, fiberglass tanks manufactured by Clearstream Systems has passed the test of time. Many thousands of our fiberglass tanks have been in service for many years.

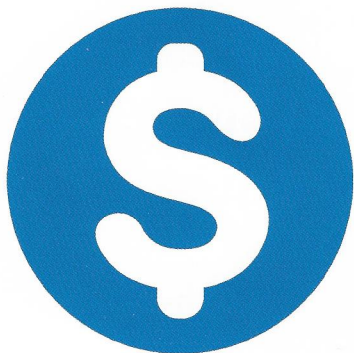
Precast reinforced concrete tanks are also available and meet the appropriate American Society for Testing Materials (ASTM) construction standards with demonstrated excellence in the field. Both the fiberglass and concrete tanks utilize only non-corrosive hardware of PVC, stainless steel, polyethylene, or neoprene. Tanks built without non-corrosive hardware have a much shorter life and higher maintenance. At Clearstream Systems, we don't cut corners when it comes to the quality of your wastewater system.

## INSTALLATION & SERVICE



Clearstream Systems only sells its systems to professional, onsite installers. All of our installers are required to complete an initial training for installation and service of all Clearstream Systems and equipment, along with on-going training for new systems so that every one of our installers possesses the most up-to-date knowledge on all of our products. In addition, we stand behind all of our installers should they experience problems with equipment sold to homeowners or end users. Clearstream Systems maintains one of the largest networks of wholesale customers in the industry. Our vast history and extensive knowledge in wastewater treatment provides our installers with unparalleled product reliability and support. This support assures those who purchase a Clearstream Wastewater Systems that they have the help they need when they need it from our trained installers and from the factory.

## COST OF OPERATION



We believe Clearstream Systems to be the most cost effective treatment system on the market. We believe this because that is one of our primary design considerations. The simple design and easy access to all Clearstream System components and compartments allow service personnel to do their work as efficiently as possible. For our customers, this translates into savings. Because our systems are designed so that, when service is necessary, repairs can typically be completed without disrupting the end user's schedule.

As an example of the savings you can expect, the Clearstream 500GPD aerator uses only 72 watts of electricity. That's LESS than a 150 watt light bulb. At nine cents per kilowatt hour, that calculates into only \$4.50 per month for cost of operation.



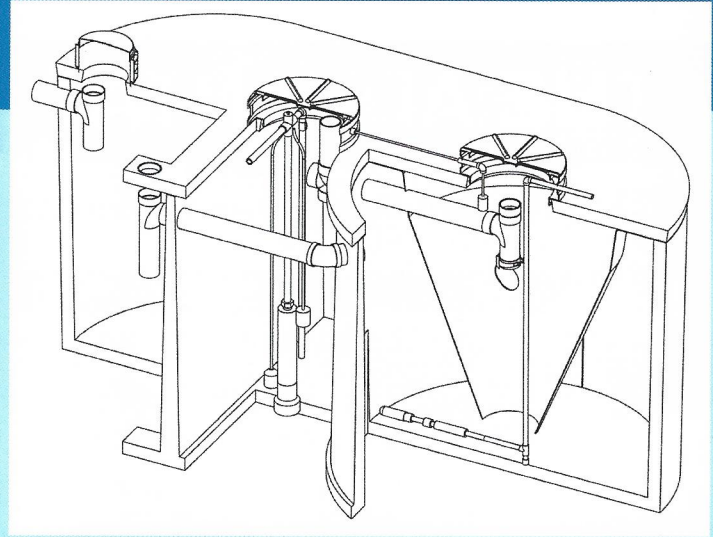
## RELIABILITY

Although wastewater treatment systems are constantly on our minds, we realize that it shouldn't constantly be on yours. Our mission is to put your mind at ease, knowing that you have the most reliable, low maintenance wastewater system available. The user-friendly design of our systems, along with the finest materials and components available, ensure a long, trouble-free experience, so you can focus on other things.



## REPUTATION

Our great reputation among our customers speaks for itself. We encourage you to check Clearstream Systems and any of our local installers with the Better Business Bureau and your local permitting authority over the onsite program in your area. We are proud of our reputation and our long history of satisfied customers.



The Clearstream Wastewater System is a highly efficient, extended aeration sewage treatment system that provides a proper environment for aerobic bacteria and other micro-organisms to convert incoming sewage into clear, odorless, organically stable water.

Test results taken from in-service applications of Clearstream Systems consistently average below the requirements set by the U.S. Environmental Protection Agency for direct discharge of treated effluent.

Because the water produced by the system is of such high purity, some regulatory agencies allow direct discharge to streams, lakes, bays, and other bodies of water. Even in areas where this is not allowed, alternative onsite disposal methods can be used including spray irrigation and drip irrigation of lawns, pastures, landscape beds, or even golf courses. With additional accessories, recycling of the water produced is possible for non-potable applications.

The simple, compact design of the Clearstream System makes it easy to install and maintain. The 115v aerator is located remotely to prevent water damage or corrosion that can occur in tank mounted aerators. This durable, high quality aerator uses very little electricity, is easy to rebuild, and easy and fast to replace, taking less than five minutes.

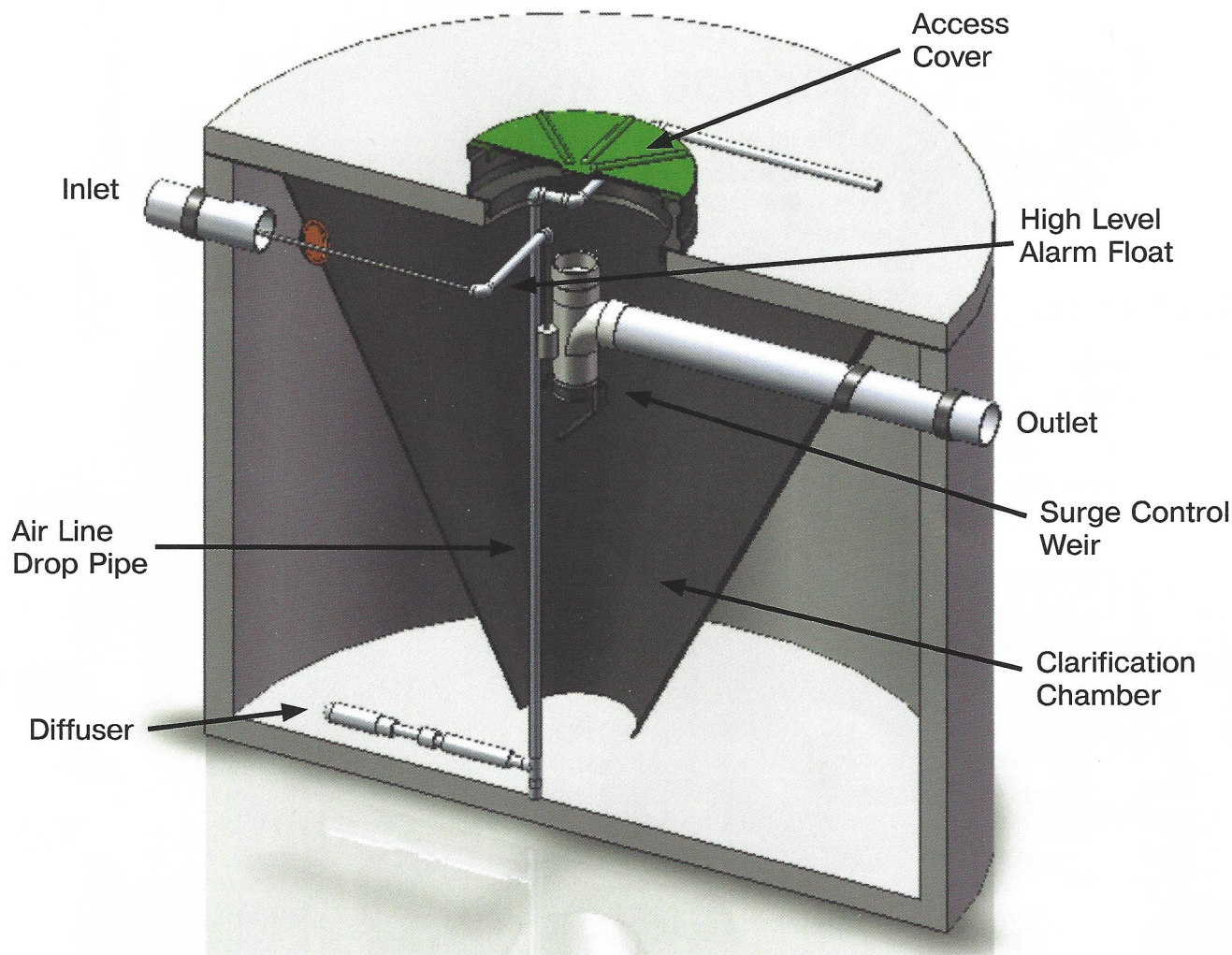
The Clearstream Wastewater System has been extensively tested by NSF International. Test results averaged as low as 5 mg/l CBOD<sub>5</sub> and 6 mg/l TSS. All Clearstream System Standard 40 models 500, 600, 750, 800, 1000, 1200 and 1500 are classified as Class I systems with or without the optional Model 1100 filter.

# THE ADVANTAGES

Compare Clearstream Wastewater Systems for the home to other systems:

TANK	AERATOR
Sturdy fiberglass or concrete construction	Long life
Easy to install	Two-year warranty
Long-lasting, non-corrosive components	Quiet operation
Easy to service	Very low electrical usage

**500N costs approximately \$4.50 per MONTH to operate (at 9¢ per KWH)**



Clearstream Wastewater Systems has long enjoyed an excellent reputation among environmental engineers, regulatory agencies, and our many satisfied customers. Whether your project requires daily treatment of 500 gallons, 1,000,000 or anywhere in-between, we have a system to suit your needs and meet your requirements for residential, commercial, and industrial applications.



# OUR GUARANTEE

We stand behind our products. Your Clearstream Wastewater System comes with a two-year limited warranty against defects in material and workmanship starting on the date of purchase. The system and/or its components will be repaired or replaced with new or rebuilt equal to the original equipment. You can count on the quality and workmanship in your Clearstream Wastewater System.

For two years after you purchase your Clearstream System, your local installer will inspect your system to be sure it's operating at peak performance. Any service on electrical and mechanical components in your Clearstream System will be performed at NO CHARGE. And, because we are confident that your new wastewater system will last for years to come, after your warranty expires your local installer will discuss available service coverage that's available to you for a small annual fee.

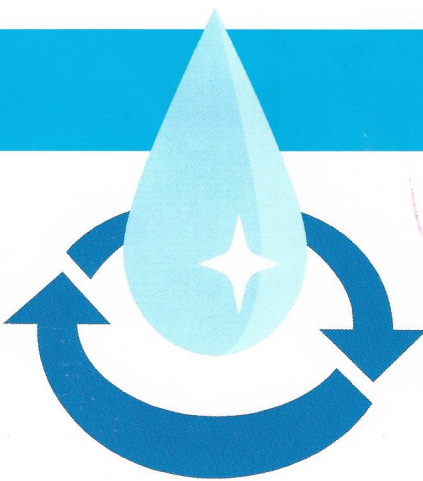
## SERVICE

To ensure your Clearstream System achieves and maintains optimum performance, periodic service is recommended. Here's a handy guide of our recommendations:

SERVICE	FREQUENCY
Repair or Replace Aerator	Every 2 to 10 years
Clean Filters on Aerator	Every 6 months to 2 years
Break up scum in clarifier	Every 6 months to 2 years
Pump Sludge from Aeration Tank	Every 2 to 5 years
Pump Sludge from Trash Trap	Every 2 to 5 years
Check Aeration Diffuser	Every Year
Check Surge Control Weir	Every 6 months



## SYSTEMS



MODEL	SERVES UP TO	RATED
Model 500	5 Residents @100 G.P.P.	500 G.P.D.
Model 600	6 Residents @100 G.P.P.	600 G.P.D.
Model 750	7.5 Residents @100 G.P.P.	750 G.P.D.
Model 800	8 Residents @100 G.P.P.	800 G.P.D.
Model 1000	10 Residents @100 G.P.P.	1000 G.P.D.
Model 1200	12 Residents @100 G.P.P.	1200 G.P.D.
Model 1500	15 Residents @100 G.P.P.	1500 G.P.D.



Corporate Office (409) 755-1500 • Toll Free (800) 586-3656 • Fax (409) 755-6500  
 4899 U.S. Hwy 69S • Lumberton, Texas 77657 • [www.clearstreamsystems.com](http://www.clearstreamsystems.com)